

Fluidmaster®

INDIA 

**Solutions for
Water Management Systems.**





Visit fluidmaster.in
FLUIDMASTER – INDIA 

Fluidmaster: Our Story

4-15

Our Products

Fill Valves

16-19

Toilet Flush Valves

20-23

Water Storage Fill Valves

24

Accessories

25-27

In-Wall Cisterns & Activation Plates

28-42

WISA x Fluidmaster Technology

43-47

Glassbox

48-50



A TRUE LEADER IN THE INDUSTRY

Fluidmaster, the leading global supplier of fluid management solutions, is found in more toilets than all other brands combined. As the customer's first choice and preferred supplier of toilet tank trim, we have been ingeniously engineering the internal flushing mechanisms of toilets for more than half a century. Built on and inspired by an unsurpassed history of innovation, Fluidmaster has become an icon

in the plumbing industry. Our reputation for superior quality continues to grow as we cultivate and support partnerships around the world with retailers, wholesalers and toilet manufacturers, reaffirming the company as a leader in innovation and global supply of sanitaryware products.



PIONEERING INNOVATION FOR MORE THAN 65 YEARS

Our company's success began with the desire and drive of founder Adolf Schoepe. Convinced that existing toilet technology was inefficient and unreliable, he sought to create a more advanced fill valve that worked with, rather than against, water pressure. Mr. Schoepe's vision became a reality when he revolutionized the toilet care industry by successfully launching Fluidmaster's innovative pilot fill valve technology in 1957.





COMPREHENSIVE LINE OF INNOVATIVE TOILET REPAIR PRODUCTS

The popularity of Fluidmaster fill valves has supported our expansion into related product lines through the years. Today, Fluidmaster markets more than 67 million toilet repair products annually and sells more toilet tank replacement valves than any other manufacturer in the world. In addition to the inaugural fill valve, our complete line of toilet repair parts includes flush valves, flappers, tank levers, dual

flush valves, bowl wax, toilet repair kits and water supply connectors. Fluidmaster's growing global distribution network reaches more than 80% of the world's population and spans over 87 countries. With manufacturing facilities across the globe, Fluidmaster is quick to market, quick to manufacture and quick to deliver with unparalleled quality.

FLUIDMASTER GLOBAL FACTORIES & OPERATIONS

FLUIDMASTER: THE GLOBAL SOLUTION



HEADQUARTERS

U.S.A.

San Juan Capistrano, CA

Global Headquarters

Global Support & Admin

INDIA

India Headquarters

Sales & Distribution



MANUFACTURING / SALES

CANADA

Sales & Distribution

CHINA

Manufacturing

Sales & Distribution

AUSTRALIA

Sales & Distribution

MEXICO

Manufacturing

Sales & Distribution

NETHERLANDS

Sales & Distribution

SLOVENIA

Manufacturing

Sales & Distribution

TURKEY

Manufacturing

Sales & Distribution

UNITED KINGDOM

Manufacturing

Sales & Distribution



DISTRIBUTION CENTER

U.S.A.

Dallas, TX

Distribution Center

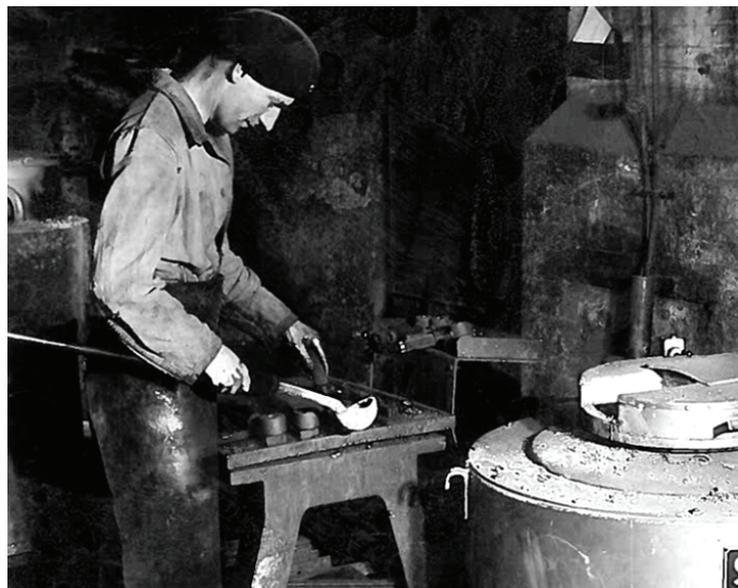


WISA HISTORY

WISA has manufactured quality and innovative sanitary products since 1865. With a rich history in flushing technology, we now offer a whole range of products, including flushing systems and accessories, ceramics and toilet seats and a wellness program. From our sales offices in the Netherlands and Germany and our separate export department, we supply quality and innovative sanitary products worldwide. To mark our 150 years in the industry, we have used the available material to chart the DNA of WISA.

HOW IT ALL STARTED

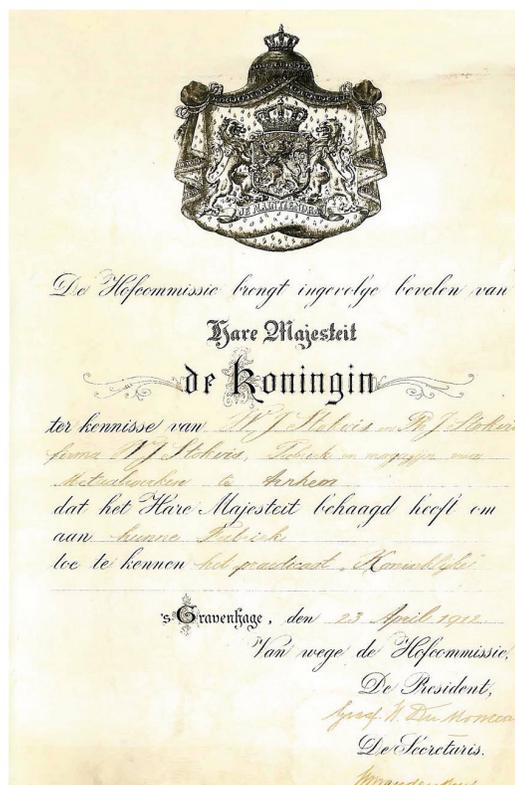
On 23 March 1840, Wolf Joseph Stokvis was born in Rotterdam. In 1865 he founded the W.J. Stokvis Metalware Factory in Arnhem. The company was later renamed WISA. Stokvis was a strong leader and a very hard worker, the true entrepreneur. At the age of 84, he was still an active board member on a daily basis.



PROUD OF ROYAL WARRANT

On Tuesday, 23 April 1912, Her Majesty Queen Wilhelmina and His Royal Highness Prince Hendrik honoured Arnhem with an official visit. The royal couple drove through the working class neighbourhood of Klarendal before visiting the children's hospital, the St. Eusebius Church and the WISA factory.

After the official visit, the Royal Warrant was awarded. A notification from the royal household appeared in various national daily newspapers. Sixteen years later, on 24 August 1928, the oldest director of the W.J. Stokvis company, Philip Stokvis, also received a royal honour. Both the Royal Warrant and the honour were literally and figuratively the crown on WISA's pioneering work.



THE NINETEEN FIFTIES FROM METAL TO PLASTICS SPECIALIST

In the early 1950s, the importance and use of plastics rapidly increased. Traditional materials such as iron, lead and brass used to manufacture plumbing products and parts for sanitary installations were increasingly replaced by modern plastics.

Mr Den Ouden, then director, was an innovative force and actively responded to this change. He introduced plastics, whereby WISA became a specialist in professional-technical plastic products for industrial and domestic applications.





FROM FACTORY TO POP PODIUM

In the late 1960s, a former WISA factory was transformed into the Stokvishal, a music venue and youth centre that existed until 1983. Well-known Dutch bands played in the Stokvishal, including Herman Brood, Normaal, Doe Maar and Golden Earring. However, it also hosted big international names like U2, Sex Pistols, UB40, Iggy Pop, Madness, The Clash, Blondie, Motorhead, Simple Minds and many others.

W.J.S.A BECOMES WISA

From early on, it was decided to change the initials of the founder and company namesake from W.J.S.A. to WISA. The WISA trademark was the company name from that point onwards. Over the years, the logo continued to be adapted to the times. The designers of the current logo have incorporated the royal W within the design in a modern way.





IPEE INNOVATION



THE CONCEALED SYSTEMS LINE IS THE PERFECT CHOICE FOR BATHROOM AND SANITARY FACILITIES EQUIPMENT. ECONOMICAL AND NOISELESS CISTERNS WHICH ENSURE OUTSTANDING PERFORMANCE. A RICH OFFERING OF FLUSHING PLATES WHICH ARE AESTHETICALLY CUSTOMISED TO MATCH WITH THE ENVIRONMENT ACCORDING TO YOUR WISHES.

ALL IPEE PRODUCTS ARE DESIGNED AND DEVELOPED BASED ON A THREE PRINCIPLE PHILOSOPHY: THE MOST SUSTAINABLE, TOUCHLESS SANITARY WARE FOR PUBLIC, COMMERCIAL AND HOSPITALITY PROJECTS.

- Technology - All our packs hold unique smart features that add value for both the end user as well as the property owner and his maintenance team.
- Sustainability - Our mission to improve the environment gives rise to providing water saving products only.
- Simplicity - Our integrated approach results in easy to install and easy to use products without sacrificing quality of design.

THREE TRIMS TO FIT YOUR NEEDS

Every IPEE pack comes standard with all the features modern sanitary ware requires. However, we understand that sometimes you demand even more.

The **IPEE Basic** packs offer simple yet high quality ceramics in combination with stable, efficient flushing technology. The IPEE Basic packs are an ideal match for locations requiring affordable, durable sanitary ware.

IPEE Plus are the mid-level packs. They combine high-quality ceramics with best in class technology. The IPEE Plus packs respond perfectly to the challenges arising from situations where both design and efficiency are key.

By combining superb ceramics with our finest, full-option flushing technologies, the **IPEE Premium** packs offer the best of the best. The IPEE Premium packs are the perfect solution for projects where there can be no compromise on design, hygiene or user experience.



Perfecting detecting

IPEE Spectre flushing technology consists of two detecting systems that seamlessly work together to create the best touchless flushing technology on the market. A high-class presence sensor detects when a person is sitting on the toilet; another sensor is constantly monitoring what's happening inside the bowl: both water level and concentration are being checked. Only if both sensors indicate the toilet has been used and the user has stood up, the toilet will flush automatically. By perfecting the detecting technology, IPEE Spectre is able to eliminate false flushes once and for all.



Qualitative ceramics

All IPEE urinal packs include a high quality, durable ceramic urinal. The minimal yet refined designs of IPEE urinals fit perfectly in every bathroom or washroom. Plus and Premium urinal packs (U3 & U5) are coated with Hydrofobe+ ceramic glaze. This coating guarantees that products will be easy to clean and will provide perfect hygiene. It offers an ultrasmooth surface where neither dirt nor bacteria can linger.

State-of-the-art technology

IPEE flushing technology is designed and developed to be fully integrated into the back of urinals. It holds all the intelligent features you'd expect from a modern flushing system - and more! Since the flushing systems are mounted completely invisible to the user, they are very resistant to vandalism, making them ideal for commercial sanitary ware.



TOILET REPAIR VALVES: KEY FEATURES



Universal Solutions
Compatible with a wide
range of Toilet Brands



Achieves the Highest
Certifications for
Compliance, Sustainability,
& Water Conservation
Standards



Best Quality from
a renowned Global
Leader



Anti-Siphon



Proven and Advanced
Technology at your
Service



Non-Cross
Threading Shanks



Comes with
Comprehensive
Warranty Coverage



Self-Cleaning
Mechanism



Dedicated Customer
Service Support



Ultra-Quiet,
Faster Refill





FILL VALVES

THE FILL VALVE FILLS THE TOILET TANK WITH WATER FROM THE SUPPLY LINE AFTER IT HAS BEEN EMP-TIED BY A FLUSH. IT REPLACES THE BALLCOCK AND IS MORE EFFICIENT AND EASY TO INSTALL.

FILL VALVES



200 SERIES BOTTOM ENTRY FILL VALVE, 1/2" PLASTIC SHANK

200U-020-P25

- Fixed height, bottom mount valve
- Adjustable float for accurate water level control
- Wide range of performance from very low to high psi
- Proven reliability and quality
- Easy to install
- Universal Fit
- 5 year warranty



400 SERIES BOTTOM ENTRY FILL VALVE, 1/2" PLASTIC SHANK, ADJUSTABLE HEIGHT

400U-057-P25

- Easy to install
- Quiet and fast refill
- Height adjustment 9 inches to 14 inches
- Anti-siphon
- No tools required maintenance
- Non cross-threading Plastic thread
- Universal Fit
- 5 year warranty



400 SERIES BOTTOM ENTRY FILL VALVE, 1/2" BRASS SHANK, ADJUSTABLE HEIGHT

400U-058-P25

- Easy to install
- Brass Thread
- Ultra Quiet
- Height adjustment 9 inches to 14 inches
- Anti-siphon
- Self Cleaning
- Universal Fit
- 5 year warranty





**747 SERIES SIDE ENTRY FILL VALVE,
1/2" PLASTIC SHANK**

747U-057-P20

- The Fluidmaster 747 series Inlet Valves are suited to side/back entry toilet cisterns and water storage tanks
- Quiet and fast refill
- Anti-siphon
- Small and compact
- Unique snap release system for easy access and maintenance
- Non cross-threading plastic thread
- 5 year warranty



**747 SERIES SIDE ENTRY FILL VALVE,
1/2" BRASS SHANK**

747U-062-P20

- The Fluidmaster 747 series Inlet Valves are suited to side/back entry toilet cisterns and water storage tanks
- Quiet and fast refill
- Anti-siphon
- Small and compact
- Unique snap release system for easy access and maintenance
- Non cross-threading brass thread
- 5 year warranty



**ORIGINAL TORBECK® BOTTOM ENTRY FILL VALVE,
1/2" PLASTIC SHANK, ADJUSTABLE HEIGHT**

310U-004-P25

- Torbeck®, Bottom Entry, 1/2" Shank, Adjustable Fill Valve
- Quiet and fast fill
- Works well in low pressures
- Height adjustment to 9 inches to 14 inches
- Universal Fit
- 1 year warranty



**ORIGINAL TORBECK® SIDE ENTRY FILL VALVE,
1/2" PLASTIC SHANK**

320U-005-P25

- Torbeck® Side Entry Side inlet valve, featuring new filter and flow restrictors
- Anti-siphon design prevents contamination of fresh water supply
- Quiet and Fast Fill
- Removable filter
- Universal Fit
- 1 year warranty



FLUSH VALVES

TOILET FLUSH VALVES CONTROL THE RELEASE OF WATER FROM THE TANK TO THE BOWL WHEN THE BUTTON IS PRESSED.



FLUSH VALVES



820 SERIES 2" DUAL FLUSH VALVE, PADDLE ACTIVATED, STANDARD HEIGHT (7.8 INCHES), ADJUSTABLE OFT, FOR 1 PIECE TOILET

820P-021-P6

- Dual Flush, Button Activated, Standard Height, Adjustable Overflow Tube
- 2-inch dual flush performance for a wide range of toilets
- Adjustable for a wide range of applications
- High quality chemical resistant, long lasting silicone seal
- Easily activated with various button options (sold separately)
- High peak and average flow performance
- Quick body connect system for easy servicing
- 10 year warranty



821 SERIES 2" DUAL FLUSH VALVE, PADDLE ACTIVATED, EXTENDED HEIGHT (10.5 INCHES), ADJUSTABLE OFT, FOR 2 PIECE TOILET

821P-022-P5

- Dual Flush, Button Activated, Adjustable Overflow Tube
- 2-inch dual flush performance for a wide range of toilets
- Adjustable height and flush volumes for a wide range of applications
- Extra robust design can withstand a pull force of over 90 lbs. (400.3 Newtons)
- High quality chemical resistant, long lasting silicone seal
- Seals even at low water levels of 0.20" (5 mm)
- Lower activation force of 3.3 lbs. (15 Newtons)
- Quick body connect system for easy servicing
- 10 year warranty



820 SERIES 2" DUAL FLUSH VALVE, FRAME, PADDLE ACTIVATED, ADJUSTABLE HEIGHT (10.8-15.5 INCHES), FOR 2 PIECE TOILET

820F-024-P15

- Dual Flush frame, Button Activated 2" dual flush valve designed for wash-down toilets
- Adjustable height and flush volumes for a wide range of applications
- Extra robust design can withstand a pull force of over 90 lbs. (400.3 Newtons)
- High quality chemical resistant, long lasting silicone seal
- Seals even at low water levels of 0.20" (5 mm)
- Lower activation force of 3.3 lbs. (15 Newtons)
- Quick body connect system for easy servicing
- 10 year warranty



560 SERIES 2" DUAL FLUSH VALVE, PADDLE ACTIVATED, FOR TWO PIECE TOILET

551B-048-P20

- 55 mm outlet shank length
- Includes 38-48 mm push button with ring adapter
- Adjustable rod lengths
- Adjustable height overflow tube
- 50 mm outlet pipe opening
- Long lasting silicone seal
- Easy full and half flush adjustment
- Suits most 2 piece toilets
- 10 year warranty



550 SERIES 2" DUAL FLUSH VALVE WITH UNIVERSAL BUTTON, FOR 2 PIECE TOILET

550B-049-P10

- Suits 16 – 25 mm, 38 mm or 48 mm button holes
- Converts single flush into dual flush
- Cable allows for enhanced activation positioning (top, side, front)
- Adjustable height overflow tube
- 55 mm outlet shank length
- 50 mm outlet pipe opening
- Long lasting silicone seal
- Easy full and half flush adjustment
- 2 year warranty



DUAL FLUSH ACTIVATION CHROME BUTTON - 38 MM

800P-019-P10

- Easy to install
- Chrome finish
- Simple and easy to install with clear instructions provided
- Quickly enhance your toilet's look with replacement buttons in a shiny chrome finish
- Includes adjustable button rods
- 1 year warranty



DUAL FLUSH ACTIVATION CHROME BUTTON - 48 MM

800P-020-P10

- Easy to install
- Chrome finish
- Simple and easy to install with clear instructions provided
- Quickly enhance your toilet's look with replacement buttons in a shiny chrome finish
- Includes adjustable button rods
- 1 year warranty



DUAL FLUSH ACTIVATION CHROME BUTTON - 58 MM

800P-021-P10

- Easy to install
- Chrome finish
- Simple and easy to install with clear instructions provided
- Quickly enhance your toilet's look with replacement buttons in a shiny chrome finish
- Includes adjustable button rods
- 1 year warranty

WATER STORAGE FILL VALVES



703 SERIES WATER STORAGE FILL VALVE, 1/2" PLASTIC SHANK

703U-066-P20

- Corrosion-resistant material
- Anti-siphon operation, code approved
- Won't contaminate fresh water supply
- 5 year warranty



747 SERIES WATER STORAGE FILL VALVE, 1/2" PLASTIC SHANK

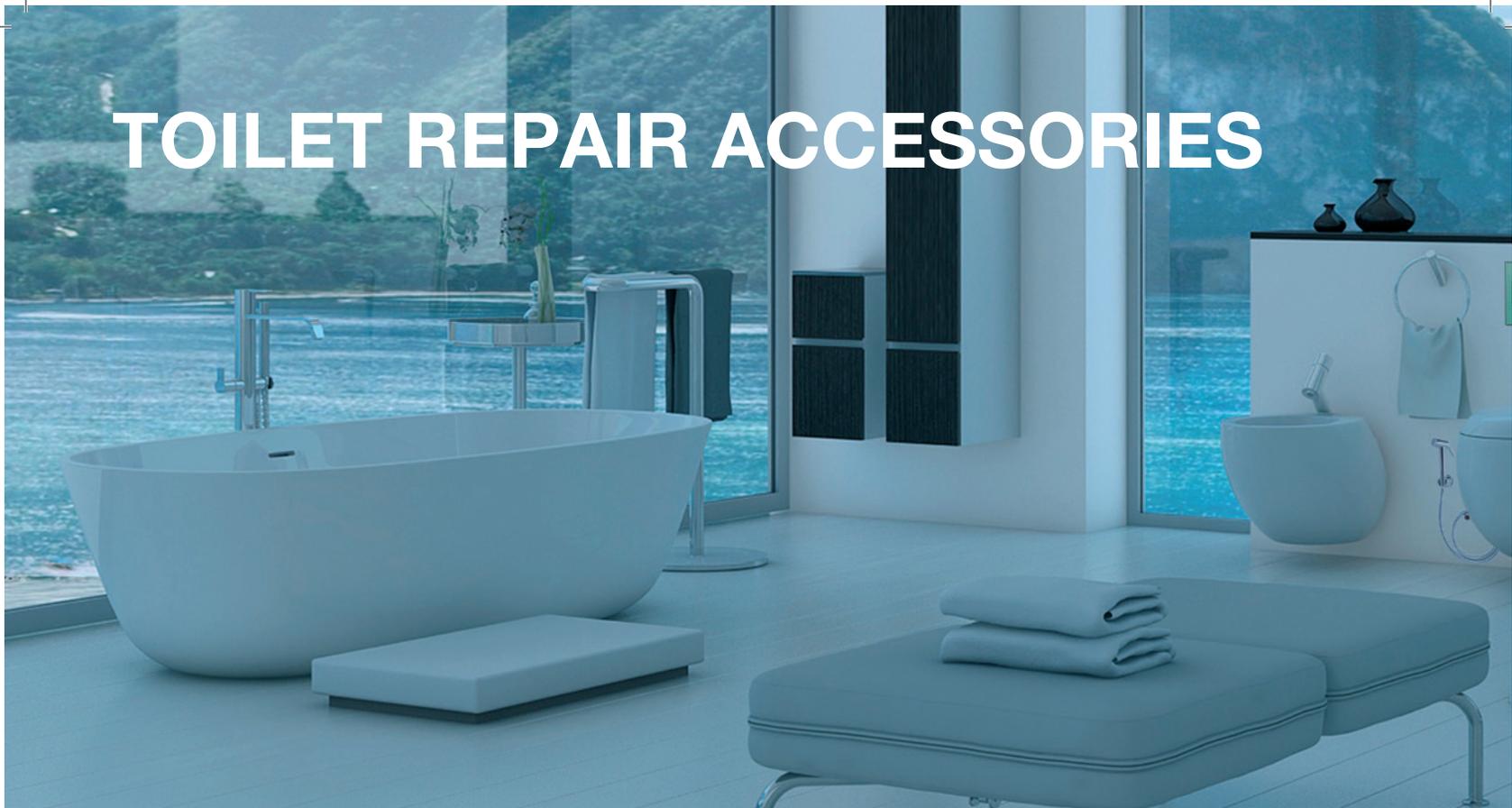
747U-060-P20

- Made with durable plastic polymers
- Anti-siphon closing chamber
- Highly engineered design
- Valve for water tank or storage tank
- Greater resistance and efficiency in filling and closing the water passage
- 7 year warranty

ACCESSORIES



TOILET REPAIR ACCESSORIES



16" CLICK SEAL® CONNECTOR WITH 1/2" ENDS

1TF16CSIN

- Click Seal® Toilet & Faucet Connector – 400 mm
- Fluidmaster's patented Click Seal® Flexible Toilet & Tap Connectors. The nut clicks when a proper seal is reached
- Reduces risk of over-tightening
- Durable brass thread for secure connections
- Easy to install, no tools required
- WRAS approved
- Stainless steel braiding protects against burst failures
- 5 year warranty



20" CLICK SEAL® CONNECTOR WITH 1/2" ENDS

1TF20CSIN

- Click Seal® Toilet & Faucet Connector – 500 MM
- Fluidmaster's patented Click Seal® Flexible Toilet & Tap Connectors. The nut clicks when a proper seal is reached
- Reduces risk of over-tightening
- Durable brass thread for secure connections
- Easy to install, no tools required
- WRAS approved
- Stainless steel braiding protects against burst failures
- 5 year warranty





WAX RING-FLANGED

7529H-004-P24

- Wax Seal with Flange
- Fits 3" and 4" waste lines
- Polyethylene flange for easy install



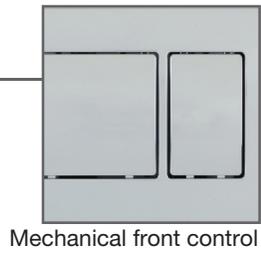
UNIVERSAL-TANK TO BOWL GASKET

6100-035-P10

- Easy to install, for use with 2" flush valve toilets
- Universal fit for close-coupled toilets with round, or hex shaped flush valve nuts
- Durable, made from high quality sponge rubber for a long lifespan
- Helps eliminate common leak or loose tank problems
- 1 year warranty

IN-WALL CISTERNS & ACTIVATION PLATES





Mechanical front control



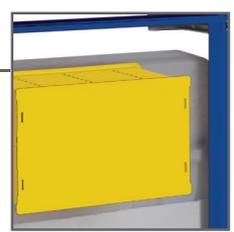
Attractive control panels available in different models



Wall brackets included



30 x 30 mm Frame designed to carry max load of 400kg



Masonry aid for guidance of the installer



Quiet and short filling time



Adjustable height of the frame for comfort installation (between 400 and 600 mm)



Easy click on bracket for adjustability and easy installation of discharge elbow



Bowl fixation 180 or 230 mm



90x110 mm adjustable elbow with off set adapter for easy installation



FLUIDMASTER

EXCELLENCE IN EVERY PRODUCT



Reliable operation with long guarantee period: 10 years guarantee for concealed cisterns.



25 years of original spare parts availability for concealed cisterns.



High capacity: correctly installed toilet bowl can easily carry a 400 kg load.



Perfectly insulated flushing cisterns with extremely silent filling valve enable remarkably silent function.



Fluidmaster products enable very quick and simple installation, suitable for different bathroom ambience and very flexible when speaking about installation methods. Water connection is possible on the left side, the right side or the middle of the back.



Fluidmaster flushing cisterns are equipped with dual flushing technique (large flush 6 liter, small flush 3 liter), thus contributing to a more responsible use of water.



Moisture free: flushing cistern are made of high quality material and insulated against condensation.



High endurance: endurance test of the flushing cistern is 200000 cycles, alternating operation of large and small water flush (according to the requirements of the standards NF 076 and EN 14055).



Fluidmaster products are designed in accordance with the latest trends regarding equipment for bathroom and sanitary facilities which includes both mounting solutions that contribute to facilitating the maintenance of excellent purity as well as the use of nature and human friendly materials.



Sanitary electronics represent the best solution hygiene issues. With Fluidmaster no-contact flushing system, we are offering you the solution - a particularly sensitive sensor detects the movement of your hands or body



WHAT MAKES FLUIDMASTER THE ULTIMATE CHOICE



IAPMO Certified



Flexible Hose for Easy Maintenance



Albertoni Angle Valve from Italy



Dual Protection Cover for Actuation Trench



World's Best Flagship 747 Fill Valve



Water connection possibility on three positions



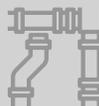
Flexible Neck Flush Valve for Easy Maintenance



10 Years Warranty on Internal Valves



Changeable Angle Valve For Easy Maintenance



Eccentric PE Adapter Ø 90 / 110 mm with Seal-Easy & Flexible Installation



Body with Styrofoam



PRIMAFLO



PRIMAFLO

PRIMAFLO SELFSUPPORTING FLOOR AND WALL MOUNTED DUAL FLUSH SLMC CONCEALED CISTERN

2022F-0134-30

PROPERTIES

- Pre-installed WC cistern with support frame
- Blue powder coated frame
- Adjustable feet (20 cm)
- Dual flush 6/3 litre concealed cistern
- Flush volume adjustable (large flush 4-7 L, small flush 2-3 L)
- Fully insulated for protection against condensation
- Support 400 kg static load
- Supports either 180 mm or 230 mm pan bolt centres
- Equipped with pre-installed stop valve - Top Middle
- Water supply connection possibility on the three positions
- Depth adjustable drain elbow (+/-20 mm)

SPECIAL FEATURE

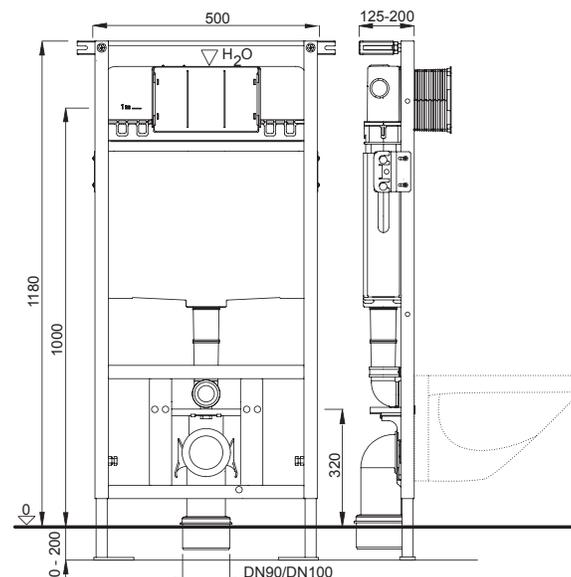
- Silent operation – Only The Best Inside Fluidmaster 747 fill valve
- Quiet Hydraulic Fill valve (Noise class 1 ISO 3822)
- Fill valve flow pressure, 0.2 Bar - 10 Bar

PRODUCT CONTAINS

- 1/2" Water Supply connection with flexible hose
- PE drain elbow Ø 90/90 mm with a seal
- Eccentric PE adapter Ø 90/110 mm with a seal
- Wall fixation kit
- Complete installation and fixing material

INFORMATION

- Warranty - 10 Years for cistern
- Warranty - 2 Years For Gaskets, Rubber Parts (EPDM)
- 25 Years parts availability
- CE EN 14055 – CL1-6- NL I – VR I
- Various certifications



PRIMAFLO

PRIMAFLO

PRIMAFLO WALL MOUNTING DUAL FLUSH SLIM CONCEALED CISTERN WITH SUPPORTING LEGS

2022H-0135-30

PROPERTIES

- Concealed cistern for wet processing
- Galvanized steel frame
- Adjustable supporting feet (18 cm)
- Dual flush 6/3 litre concealed cistern
- Flush volume adjustable (large flush 4-7 L, small flush 2-3 L)
- Fully insulated for protection against condensation
- Support 400 kg static load
- Supports either 180 mm or 230 mm pan bolt centres
- Equipped with pre-installed stop valve - Top Middle
- Water supply connection possibility on the three positions

SPECIAL FEATURE

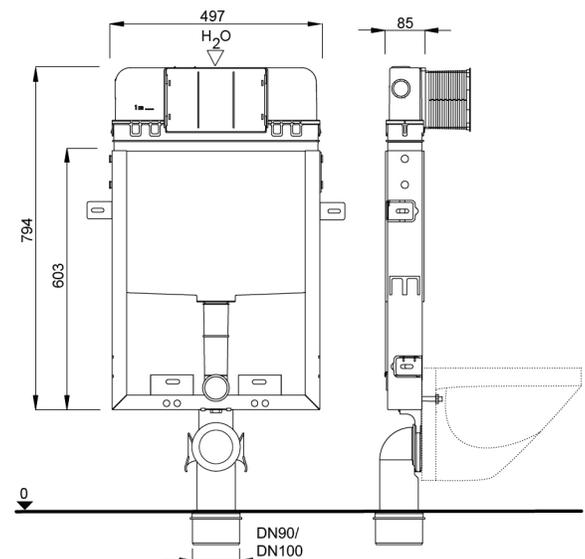
- Silent operation – Only The Best Inside Fluidmaster 747 fill valve
- Quiet Hydraulic Fill valve (Noise class 1 ISO 3822)
- Fill valve flow pressure, 0.2 Bar - 10 Bar

PRODUCT CONTAINS

- 1/2" Water Supply connection with flexible hose
- PE drain elbow Ø 90/90 mm with a seal
- Eccentric PE adapter Ø 90/110 mm with a seal
- Complete installation and fixing material

INFORMATION

- Warranty - 10 Years for cistern
- Warranty - 2 Years For Gaskets, Rubber Parts (EPDM)
- 25 Years parts availability
- CE EN 14055 – CL1-6- NLI – VR I
- Various certifications



PRIMAFLO

PRIMAFLO WALL MOUNTING DUAL FLUSH SLIM CONCEALED CISTERN

2022H-0136-30

PROPERTIES

- Concealed cistern for wet processing
- Galvanized steel frame
- Dual flush 6/3 litre concealed cistern
- Flush volume adjustable (large flush 4-7 L, small flush 2-3 L)
- Fully insulated for protection against condensation
- Support 400 kg static load
- Supports either 180 mm or 230 mm pan bolt centres
- Equipped with pre-installed stop valve - Top Middle
- Water supply connection possibility on the three positions

SPECIAL FEATURE

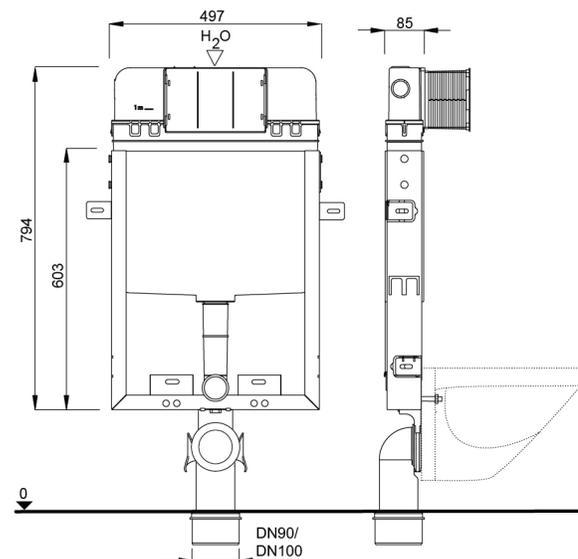
- Silent operation – Only The Best Inside Fluidmaster 747 fill valve
- Quiet Hydraulic Fill valve (Noise class 1 ISO 3822)
- Fill valve flow pressure, 0.2 Bar - 10 Bar

PRODUCT CONTAINS

- 1/2" Water Supply connection with flexible hose
- PE drain elbow Ø 90/90 mm with a seal
- Eccentric PE adapter Ø 90/110 mm with a seal
- Complete installation and fixing material

INFORMATION

- Warranty - 10 Years for cistern
- Warranty - 2 Years For Gaskets, Rubber Parts (EPDM)
- 25 Years parts availability
- CE EN 14055 – CL1-6- NL I – VR I
- Various certifications



PRIMAFLO

PRIMAFLO

PRIMAFLO DUAL FLUSH SLIM CONCEALED CISTERN

2022N-0137-30

PROPERTIES

- For installation on or in solid walls
- Frameless Sturdy tank
- Slim depth - 85 mm
- Dual flush 6/3 litre concealed cistern
- Flush volume adjustable (large flush 4-7 L, small flush 2-3 L)
- Fully insulated for protection against condensation
- Equipped with pre-installed stop valve - Top Middle
- Water supply connection possibility on the three positions



SPECIAL FEATURE

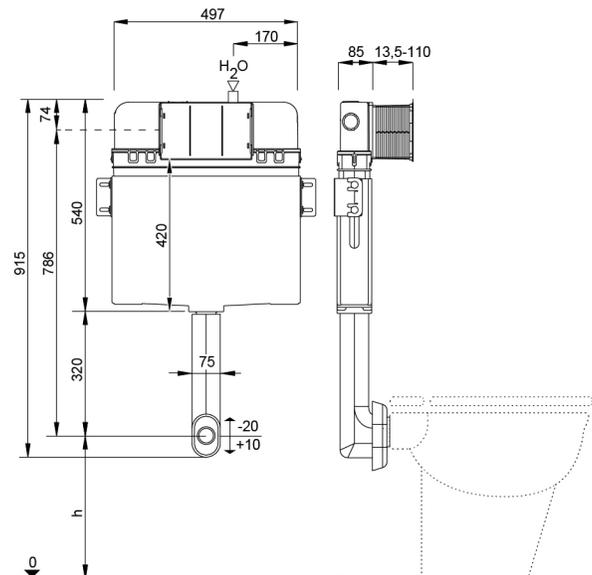
- Silent operation – Only The Best Inside Fluidmaster 747 fill valve
- Quiet Hydraulic Fill valve (Noise class 1 ISO 3822)
- Fill valve flow pressure, 0.2 Bar - 10 Bar

PRODUCT CONTAINS

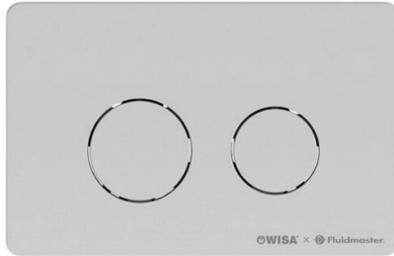
- 1/2" Water Supply connection with flexible hose
- Wall fixation kit
- Complete installation and fixing material

INFORMATION

- Warranty - 10 Years for cistern
- Warranty - 2 Years For Gaskets, Rubber Parts (EPDM)
- 25 Years parts availability
- CE EN 14055 – CL1-6- NL I – VR I
- Various certifications



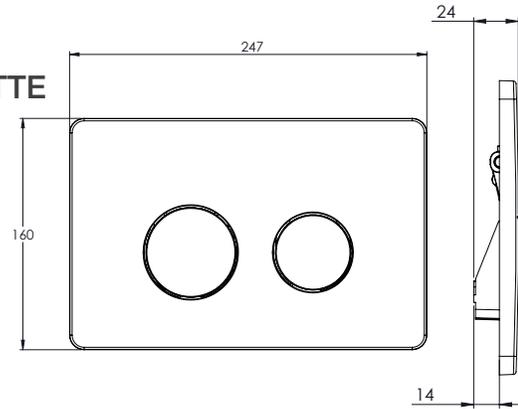
ACTIVATION PLATES



SHINE CONTROL PLATE MATTE CHROME ROUND

2590X-0153-30

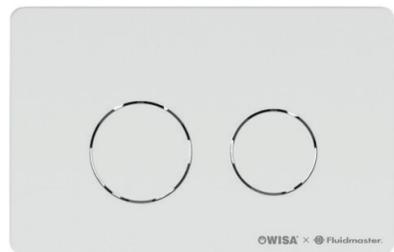
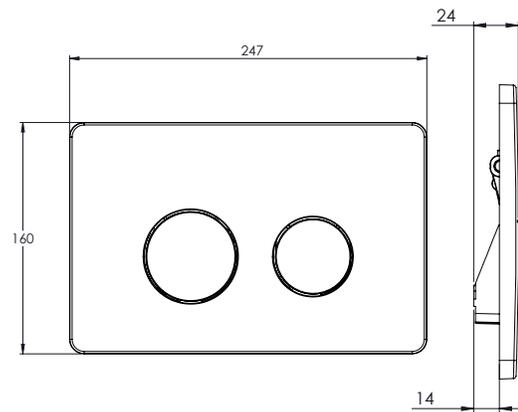
- Mechanical Actuation
- Material: High Quality ABS
- Dual Flush
- Quick & Simple Installation
- Easy & quick release for cistern maintenance
- Long lasting fit & finish
- All parts required for fixing are supplied with the product
- Activation force < 15N
- 10 year warranty
- 25 years spare parts availability



SHINE CONTROL PLATE BRIGHT CHROME ROUND

2590X-0152-30

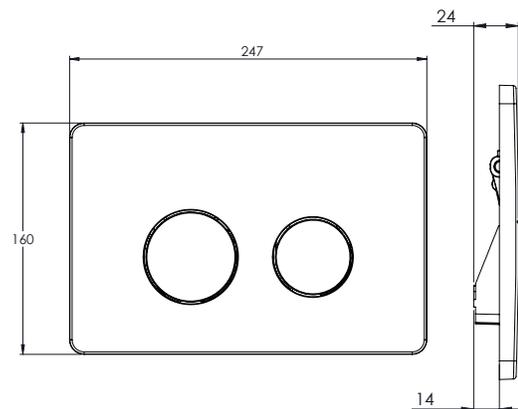
- Mechanical Actuation
- Material: High Quality ABS
- Dual Flush
- Quick & Simple Installation
- Easy & quick release for cistern maintenance
- Long lasting fit & finish
- All parts required for fixing are supplied with the product
- Activation force < 15N
- 10 year warranty
- 25 years spare parts availability



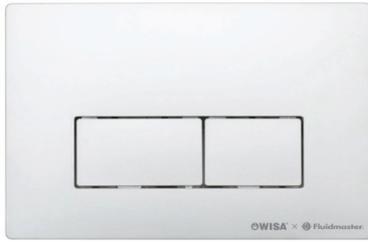
SHINE CONTROL PLATE WHITE ROUND

2590X-0151-30

- Mechanical Actuation
- Material: High Quality ABS
- Dual Flush
- Quick & Simple Installation
- Easy & quick release for cistern maintenance
- Long lasting fit & finish
- All parts required for fixing are supplied with the product
- Activation force < 15N
- 10 year warranty
- 25 years spare parts availability



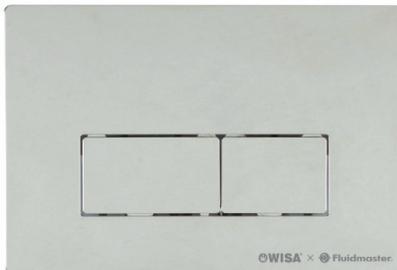
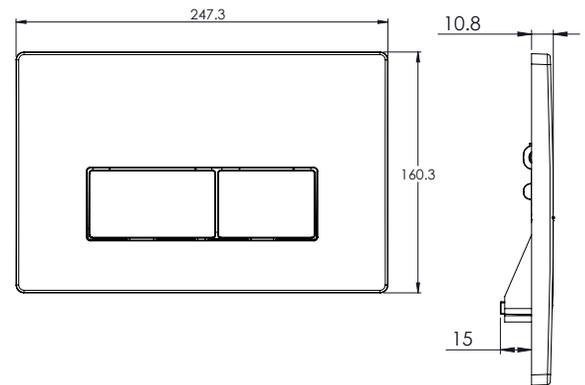
ACTIVATION PLATES



ESSENCE CONTROL PLATE MATTE CHROME RECTANGULAR

2590X-0156-30

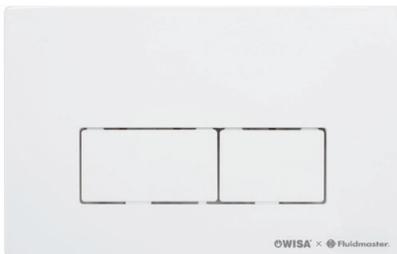
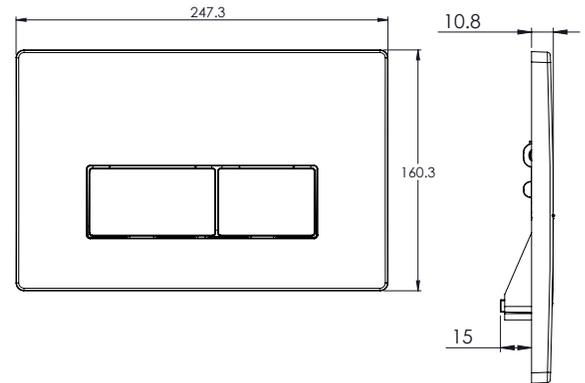
- Mechanical Actuation
- Material: High Quality ABS
- Dual Flush
- Quick & Simple Installation
- Easy & quick release for cistern maintenance
- Long lasting fit & finish
- All parts required for fixing are supplied with the product
- Activation force < 15N
- 10 year warranty
- 25 years spare parts availability



ESSENCE CONTROL PLATE BRIGHT CHROME RECTANGULAR

2590X-0155-30

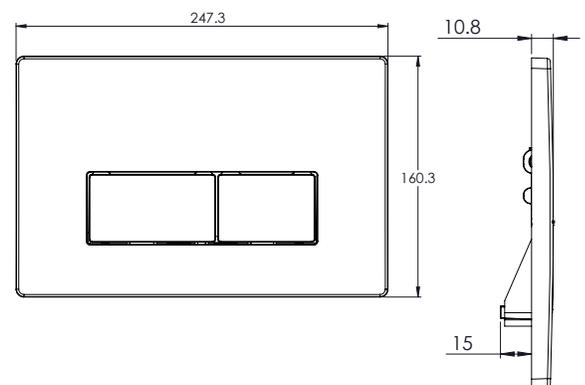
- Mechanical Actuation
- Material: High Quality ABS
- Dual Flush
- Quick & Simple Installation
- Easy & quick release for cistern maintenance
- Long lasting fit & finish
- All parts required for fixing are supplied with the product
- Activation force < 15N
- 10 year warranty
- 25 years spare parts availability



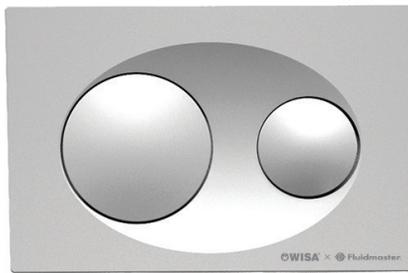
ESSENCE CONTROL PLATE WHITE RECTANGULAR

2590X-0154-30

- Mechanical Actuation
- Material: High Quality ABS
- Dual Flush
- Quick & Simple Installation
- Easy & quick release for cistern maintenance
- Long lasting fit & finish
- All parts required for fixing are supplied with the product
- Activation force < 15N
- 10 year warranty
- 25 years spare parts availability



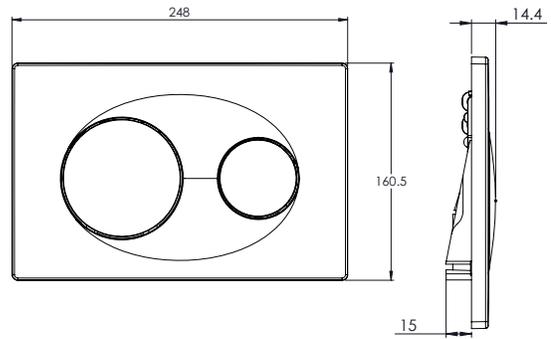
ACTIVATION PLATES



POISE CONTROL PLATE MATTE CHROME ROUND

2590X-0141-30

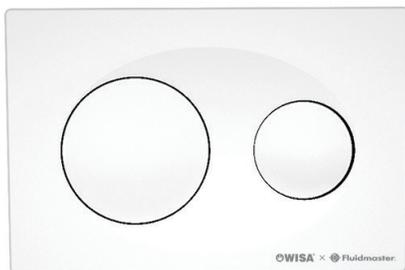
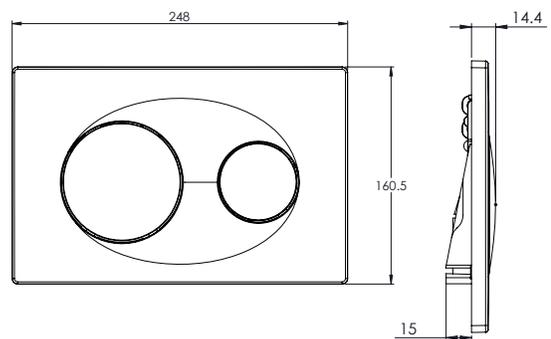
- Mechanical Actuation
- Material: High Quality ABS
- Dual Flush
- Quick & Simple Installation
- Easy & quick release for cistern maintenance
- Long lasting fit & finish
- All parts required for fixing are supplied with the product
- Activation force < 15N
- 10 year warranty
- 25 years spare parts availability



POISE CONTROL PLATE BRIGHT CHROME ROUND

2590X-0140-30

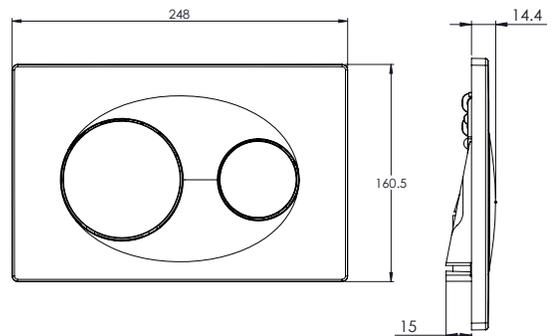
- Mechanical Actuation
- Material: High Quality ABS
- Dual Flush
- Quick & Simple Installation
- Easy & quick release for cistern maintenance
- Long lasting fit & finish
- All parts required for fixing are supplied with the product
- Activation force < 15N
- 10 year warranty
- 25 years spare parts availability



POISE CONTROL PLATE WHITE ROUND

2590X-0139-30

- Mechanical Actuation
- Material: High Quality ABS
- Dual Flush
- Quick & Simple Installation
- Easy & quick release for cistern maintenance
- Long lasting fit & finish
- All parts required for fixing are supplied with the product
- Activation force < 15N
- 10 year warranty
- 25 years spare parts availability



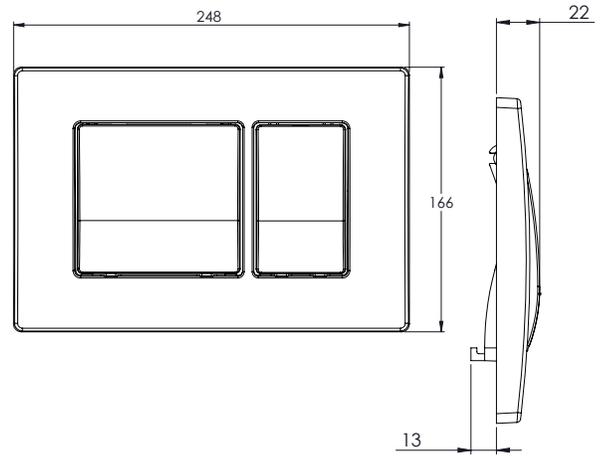
ACTIVATION PLATES



DYNAMO CONTROL PLATE MATTE CHROME SQUARE

2590X-0144-30

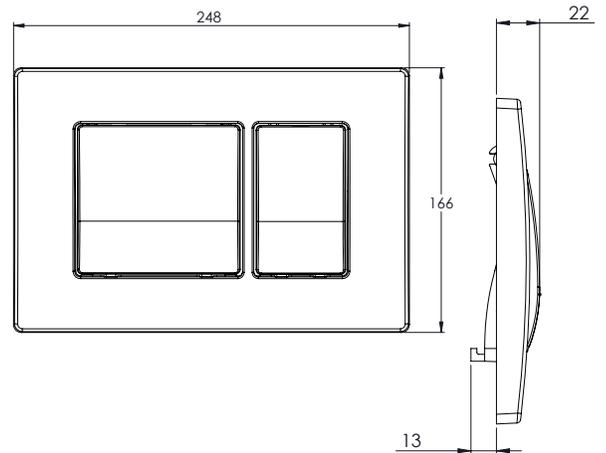
- Mechanical Actuation
- Material: High Quality ABS
- Dual Flush
- Quick & Simple Installation
- Easy & quick release for cistern maintenance
- Long lasting fit & finish
- All parts required for fixing are supplied with the product
- Activation force < 15N
- 10 year warranty
- 25 years spare parts availability



DYNAMO CONTROL PLATE BRIGHT CHROME SQUARE

2590X-0143-30

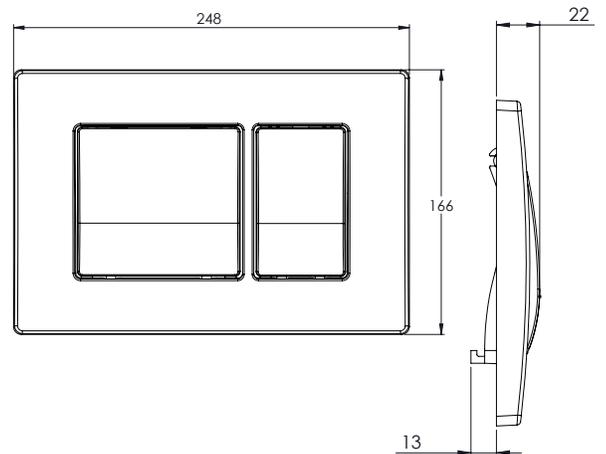
- Mechanical Actuation
- Material: High Quality ABS
- Dual Flush
- Quick & Simple Installation
- Easy & quick release for cistern maintenance
- Long lasting fit & finish
- All parts required for fixing are supplied with the product
- Activation force < 15N
- 10 year warranty
- 25 years spare parts availability



DYNAMO CONTROL PLATE WHITE SQUARE

2590X-0142-30

- Mechanical Actuation
- Material: High Quality ABS
- Dual Flush
- Quick & Simple Installation
- Easy & quick release for cistern maintenance
- Long lasting fit & finish
- All parts required for fixing are supplied with the product
- Activation force < 15N
- 10 year warranty
- 25 years spare parts availability



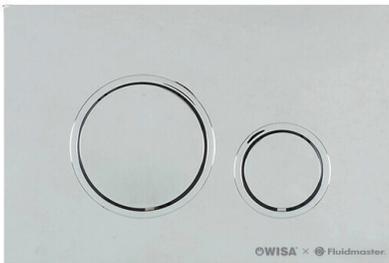
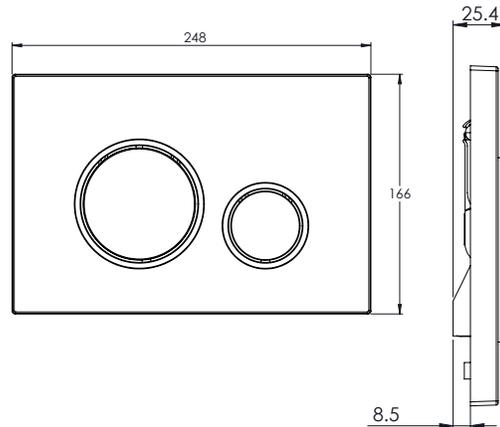
ACTIVATION PLATES



SOUL CONTROL PLATE MATT CHROME ROUND

2590X-0147-30

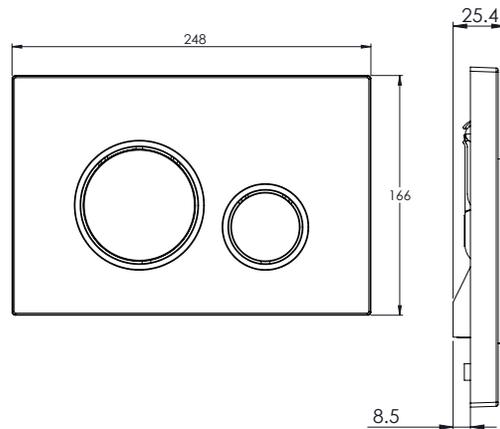
- Mechanical Actuation
- Material: High Quality ABS
- Dual Flush
- Quick & Simple Installation
- Easy & quick release for cistern maintenance
- Long lasting fit & finish
- All parts required for fixing are supplied with the product
- Activation force < 15N
- 10 year warranty
- 25 years spare parts availability



SOUL CONTROL PLATE BRIGHT CHROME ROUND

2590X-0146-30

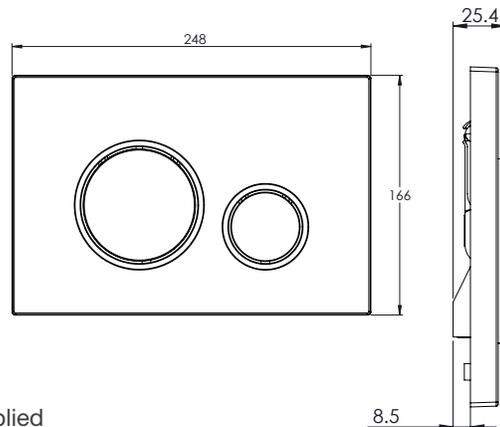
- Mechanical Actuation
- Material: High Quality ABS
- Dual Flush
- Quick & Simple Installation
- Easy & quick release for cistern maintenance
- Long lasting fit & finish
- All parts required for fixing are supplied with the product
- Activation force < 15N
- 10 year warranty
- 25 years spare parts availability



SOUL CONTROL PLATE WHITE ROUND

2590X-0145-30

- Mechanical Actuation
- Material: High Quality ABS
- Dual Flush
- Quick & Simple Installation
- Easy & quick release for cistern maintenance
- Long lasting fit & finish
- All parts required for fixing are supplied with the product
- Activation force < 15N
- 10 year warranty
- 25 years spare parts availability



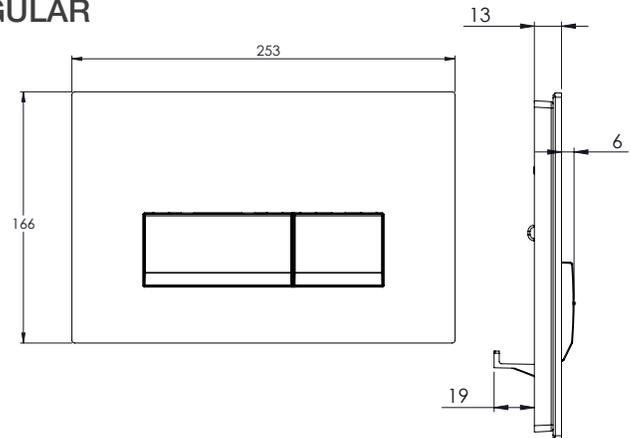
ACTIVATION PLATES



VIBE CONTROL PLATE BLACK GLASS RECTANGULAR

2590X-0149-30

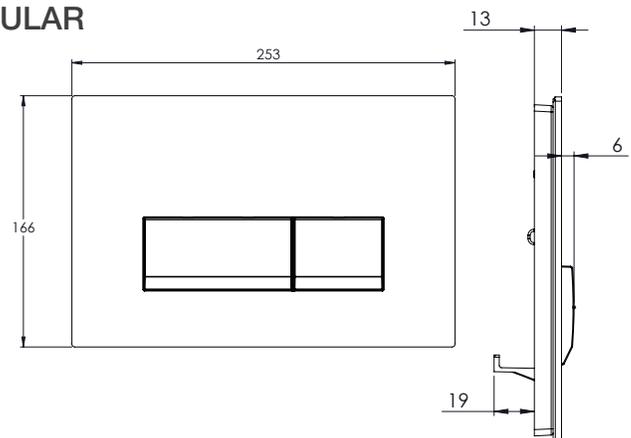
- Mechanical Actuation
- Material: Glass
- Dual Flush
- Quick & Simple Installation
- Easy & quick release for cistern maintenance
- Long lasting fit & finish
- All parts required for fixing are supplied with the product
- Activation force < 15N
- 10 year warranty
- 25 years spare parts availability



VIBE CONTROL PLATE WHITE GLASS RECTANGULAR

2590X-0148-30

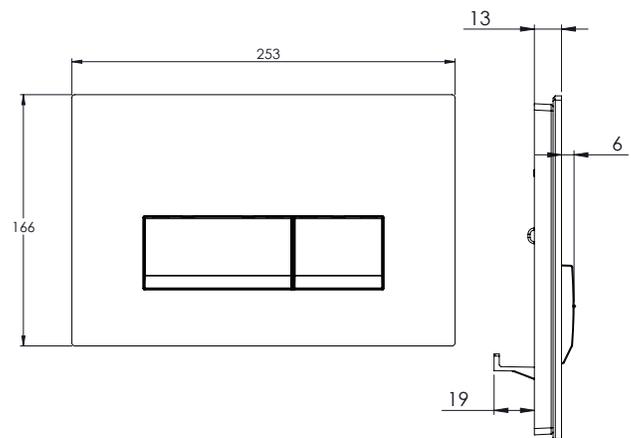
- Mechanical Actuation
- Material: Glass
- Dual Flush
- Quick & Simple Installation
- Easy & quick release for cistern maintenance
- Long lasting fit & finish
- All parts required for fixing are supplied with the product
- Activation force < 15N
- 10 year warranty
- 25 years spare parts availability



VIBE CONTROL PLATE STEEL GLASS RECTANGULAR

2590X-0150-30

- Mechanical Actuation
- Material: Glass
- Dual Flush
- Quick & Simple Installation
- Easy & quick release for cistern maintenance
- Long lasting fit & finish
- All parts required for fixing are supplied with the product
- Activation force < 15N
- 10 year warranty
- 25 years spare parts availability



WISA TRONIC



WISA[®] TRONIC

A DELIGHT TO THE EYE

With the Eos and Ion panels from WISA you get state of the art control panels at home. A jewel for every toilet or bathroom. Comfortable and hygienic rinsing by means of modern electronics. As you approach the toilet, the panel comes to life, two indicators light up slowly. When you simply move your hand in front of the control panel, the technology takes over and the flushing will be fully automatic. Beautiful on the outside, smart on the inside.



INNOVATIVE TECHNOLOGY

Anyone who thinks that flushing technology is easy to think about is wrong. Behind the particularly attractively designed control panel is modern technology. Whether it's the color of the lighting or setting the periodic flush, numerous functions are easy to set from your mobile phone or tablet. No permanent power supply? No problem! The hydro generator generates sustainable energy after each flush. The combination of design, optimum hygiene, functionality and maximum ease of use in your sanitary area.

BEAUTIFUL AND FUNCTIONAL IN ANY ENVIRONMENT

WISA Tronic is very easy to install and fits on any WISA XS or XT cistern. Even if it concerns an already installed system that is equipped with mechanical or pneumatic operation (retro-fit). Remove the standard lever mechanism from the reservoir with a simple movement. Replace the new mechanism with very powerful servomotor here with the same simplicity. The control panel with electronics is connected to the lever mechanism via a small connector and controls the servo motor.

POWER SUPPLY

The WISA Tronic control panels must be supplied with power. If no mains voltage is provided, you can opt for a hydro generator or battery power.

MAINS POWER

WISA Tronic control panels are supplied as standard by means of mains voltage (transformer 230V). If mains voltage is present, simply connect the panel using the AC adapter.

BATTERY POWER

With previously built-in XS coil systems where mains voltage is not (any longer) possible, you can opt for battery power. The intelligent electronics automatically switch to the energy-saving Eco mode.

HYDROGENERATOR

Get electrical energy from hydropower. This ingenious hydroelectric power station generates energy with every flush of the toilet and stores it in a special Lithium Ion battery.



GET ELECTRICAL ENERGY FROM HYDROPOWER

With the self-sufficient hydroelectric alternator, you never have to worry about having enough energy again. The generator is connected between the water supply and the float valve and generates energy with every flush of the toilet and stores this in a special Lithium Ion battery. This battery is placed in the waterproof battery compartment behind the WISA Tronic control panel.



APP

With a special WISA application for your mobile phone or tablet you can easily change settings of the control panel. You can, among other things, adjust the color of the LED lighting on the control panel and set the interval rinse.

FLUIDMASTER WISATRONIC

NEXAFLO WISA XS WC FRAME 118 CM

2040F-0138-30

PROPERTIES

- Pre-installed WC cistern with support frame
- Blue powder coated frame
- Adjustable feet (20 cm)
- Dual flush 6/3 litre concealed cistern
- Flush volume adjustable between 6 and 7.5 L
- Fully insulated for protection against condensation
- Support 400 kg static load
- Supports either 180 mm or 230 mm pan bolt centres
- Equipped with pre-installed stop valve - Top Middle
- Water supply connection possibility on the three positions
- Depth adjustable drain elbow (+/-20 mm)

SPECIAL FEATURE

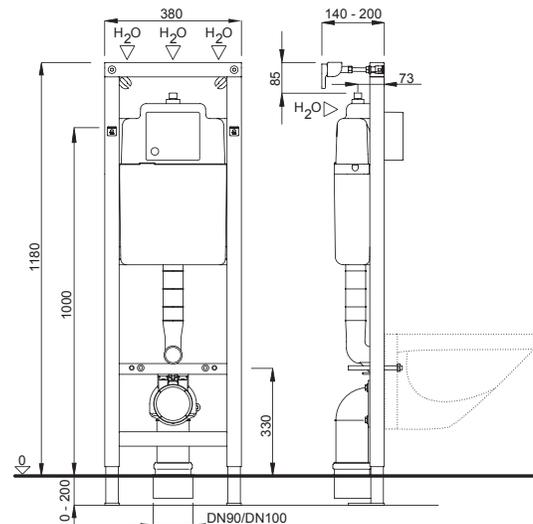
- Silent operation – Only The Best Inside Fluidmaster 747 fill valve
- Quiet Hydraulic Fill valve (Noise class 1 ISO 3822)
- Fill valve flow pressure, 0.2 Bar - 10 Bar

PRODUCT CONTAINS

- 1/2" Water Supply connection with flexible hose
- PE drain elbow Ø 90/90 mm with a seal
- Eccentric PE adapter Ø 90/110 mm with a seal
- Wall fixation kit
- Complete installation and fixing material

INFORMATION

- Warranty - 10 Years for cistern
- Warranty - 2 Years For Gaskets, Rubber Parts (EPDM)
- 25 Years parts availability
- CE EN 14055 – CL1-6- NL I – VR I
- Various certifications



FLUIDMASTER WISATRONIC

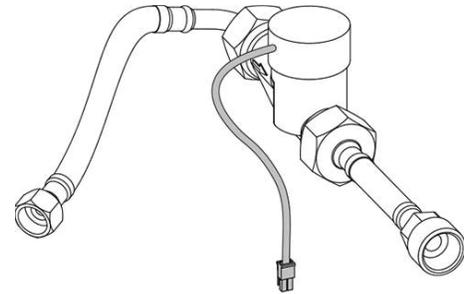
FLUIDMASTER WISATRONIC ACCESSORIES

BALANCE EOS HYDROGENERATOR

2903S-0160-30



- Generate electrical energy from hydropower. With this hydro-electric generator, you never have to worry about enough energy. The generator is connected between water supply and float valve. This ingenious hydro-electric power plant generates energy with every flushing of the toilet and stores it in a special Lithium Ion battery. This battery is placed in the waterproof battery compartment.
- 1 year warranty

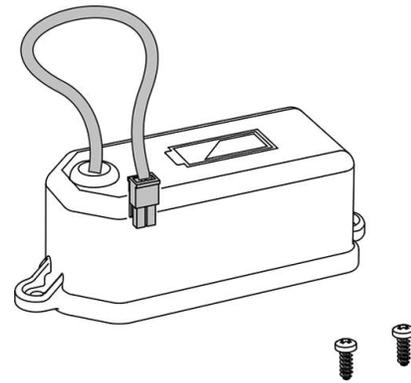


BALANCE WISATRONIC BATTERY MODULE

2903S-0161-30



- Battery housing for EOS / ION and NEA / KATION control panels
- 6V – 4 x 1.5V AA / LR6 batteries
- Including 4 shrink wrapped AA alkaline batteries
- 1 year warranty



BALANCE WISATRONIC BUILT-IN ADAPTER

2903S-0162-30



- Built-in adapter for EOS / ION and NEA/KATION control panels
- Input AC 100-240V~/50-60 Hz
- Output DC 5V/1A
- Cable length ca. 2.0 m
- Mounting box with cover
- Flexible conduit
- Cover
- Lighting connectors
- 1 year warranty

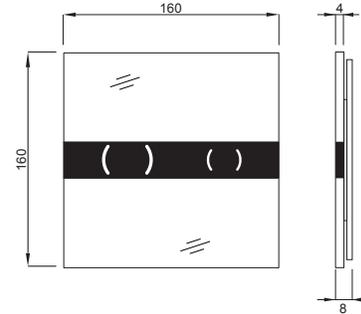
FLUIDMASTER WISATRONIC ACTIVATION PLATES



BALANCE CONTROL PLATE EOS DF GLASS WHITE

2590Y-0157-30

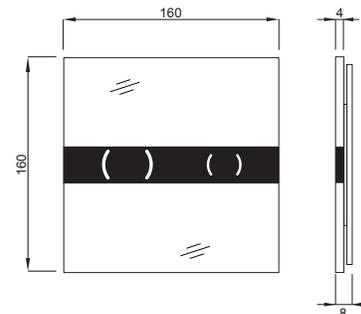
- Can be installed in every XS flushing system
- Flushing by non-touch infrared technology
- Mains 230 V (standard)
- Hydro generator or 6V battery pack (optional)
- Design panel in glass
- Dual Flush (3 / 6L or 2.5 / 4L)
- RGB LED lights (every color possible)
- WISA Intelligent Sensor Technology (WIST)
- Walk-away automatic flushing
- Hygienic flush for optimal water quality
- Eco Mode for power saving
- Change the settings by WISA App
- 10 year warranty



BALANCE CONTROL PLATE EOS DF GLASS BLACK

2590Y-0158-30

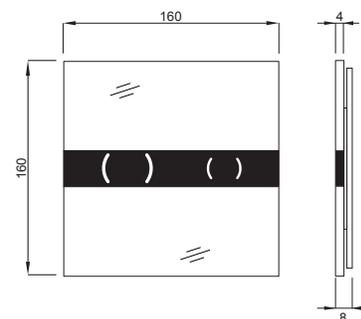
- Can be installed in every XS flushing system
- Flushing by non-touch infrared technology
- Mains 230 V (standard)
- Hydro generator or 6V battery pack (optional)
- Design panel in glass
- Dual Flush (3 / 6L or 2.5 / 4L)
- RGB LED lights (every color possible)
- WISA Intelligent Sensor Technology (WIST)
- Walk-away automatic flushing
- Hygienic flush for optimal water quality
- Eco Mode for power saving
- Change the settings by WISA App
- 10 year warranty



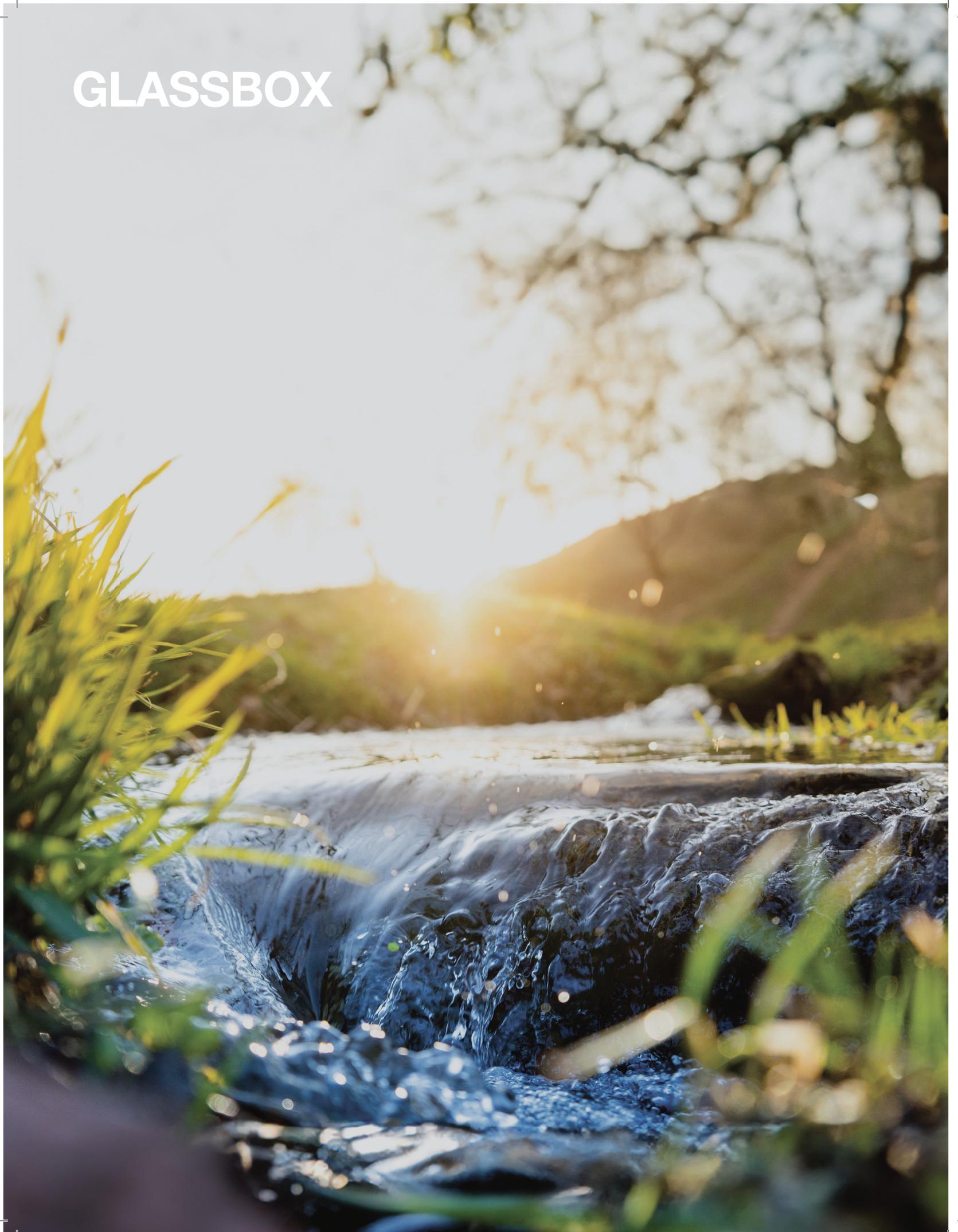
BALANCE CONTROL PLATE EOS DF STEEL

2590Y-0159-30

- Can be installed in every XS flushing system
- Flushing by non-touch infrared technology
- Mains 230 V (standard)
- Hydro generator or 6V battery pack (optional)
- Design panel in glass
- Dual Flush (3 / 6L or 2.5 / 4L)
- RGB LED lights (every color possible)
- WISA Intelligent Sensor Technology (WIST)
- Walk-away automatic flushing
- Hygienic flush for optimal water quality
- Eco Mode for power saving
- Change the settings by WISA App
- 10 year warranty



GLASSBOX



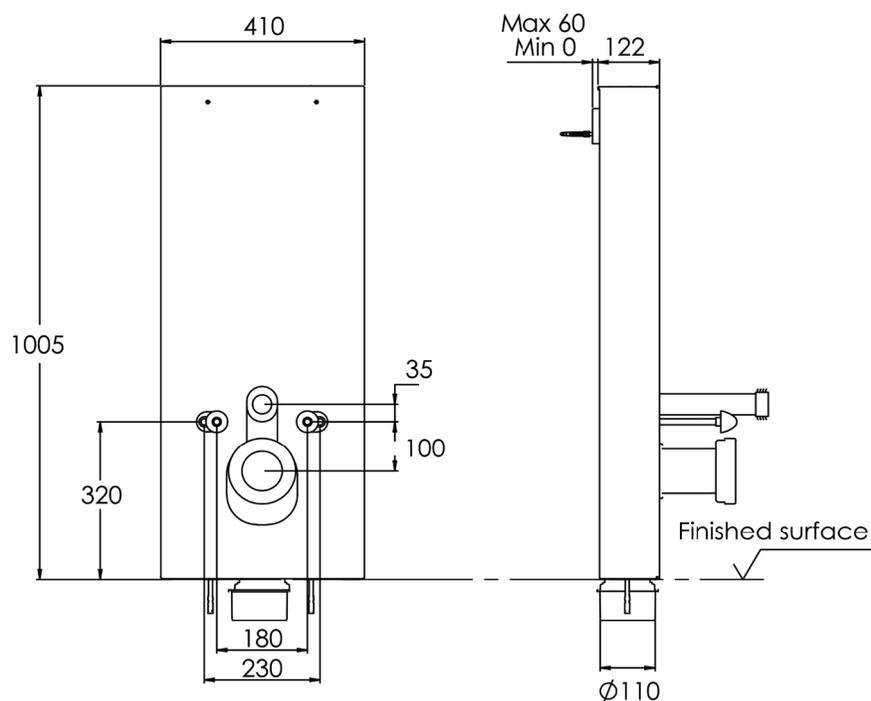
GLASSBOX



WHITE GLASS BOX FOR WALL HUNG WC

2023G-0167-30

- For installation in prefabricated walls - for new construction and/or bathroom renovations
- Dual flush 3/6 L
- 6mm tempered glass
- Color: white
- Aluminum side covers
- For wall-hung or floor-standing toilets
- Water supply connection on the lower side
- Anti-condensation insulation
- Cistern equipped with pre-assembled stop valve – underside
- 3/8" water connection
- Drain bend in PP 90 mm with gasket
- PP drain bend sleeve 90 / 110 mm with gasket
- Complete installation and fixing material
- Toilet not included



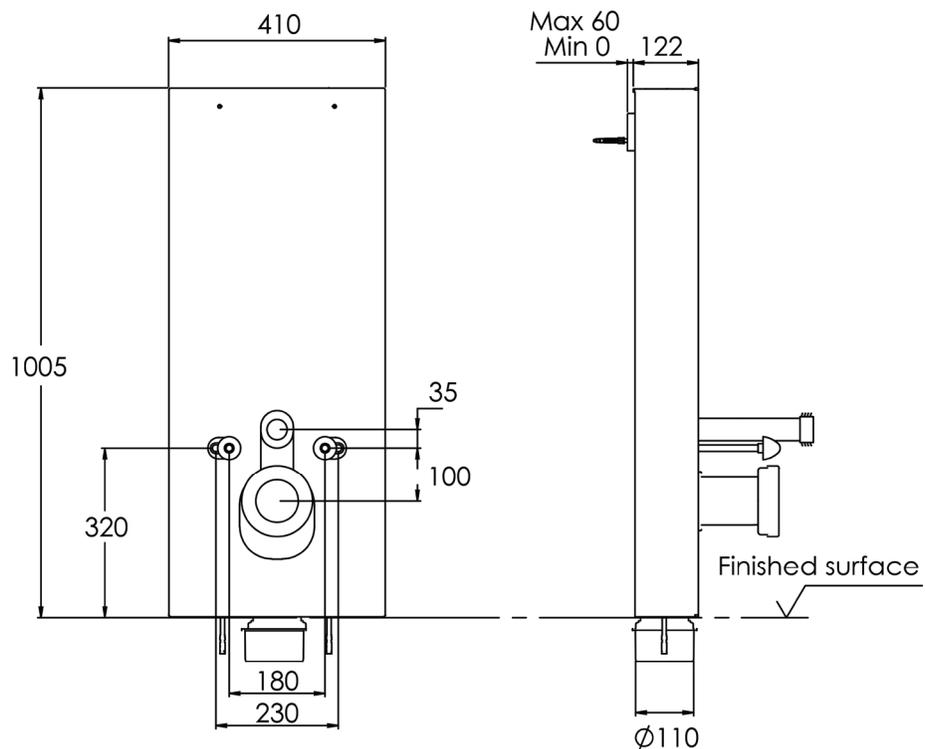
GLASSBOX



BLACK GLASS BOX FOR WALL HUNG WC

2023G-0168-30

- For installation in prefabricated walls - for new construction and/or bathroom renovations
- Dual flush 3/6 L
- 6mm tempered glass
- Color: black
- Aluminum side covers
- For wall-hung or floor-standing toilets
- Water supply connection on the lower side
- Anti-condensation insulation
- Cistern equipped with pre-assembled stop valve – underside
- 3/8" water connection
- Drain bend in PP 90 mm with gasket
- PP drain bend sleeve 90 / 110 mm with gasket
- Complete installation and fixing material
- Toilet not included





Visit fluidmaster.in

SCAN FOR
DIGITAL VERSION

FLUIDMASTER – INDIA 

GLOBAL HEADQUARTERS
Fluidmaster INC
30800 Rancho Viejo Road,
San Juan Capistrano, CA. 92675, USA

INDIA HEAD OFFICE
Fluidmaster India Private Limited
Unit-403, World Trade Centre,
Tower 2, 4th Floor,
Kharadi, Pune-411014
Maharashtra, India

PHONE:
18001210453 (Toll Free)
+91 9643513102 (Mobile)

EMAIL:
service@Fluidmaster.in
info@Fluidmaster.in
dealership@Fluidmaster.in

SITE
www.fluidmaster.in
www.sanitaer-schwab.com
www.wisa-sanitair.com/nl